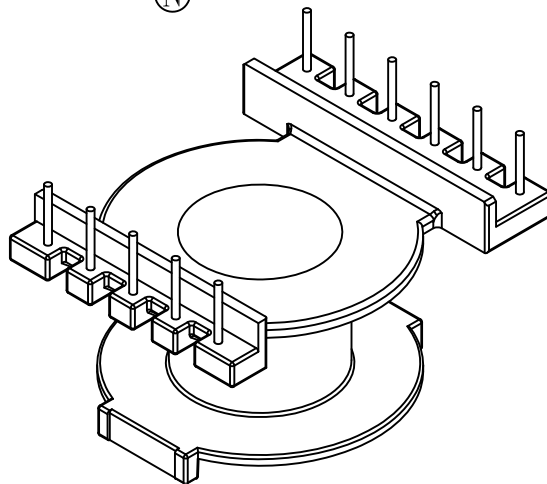
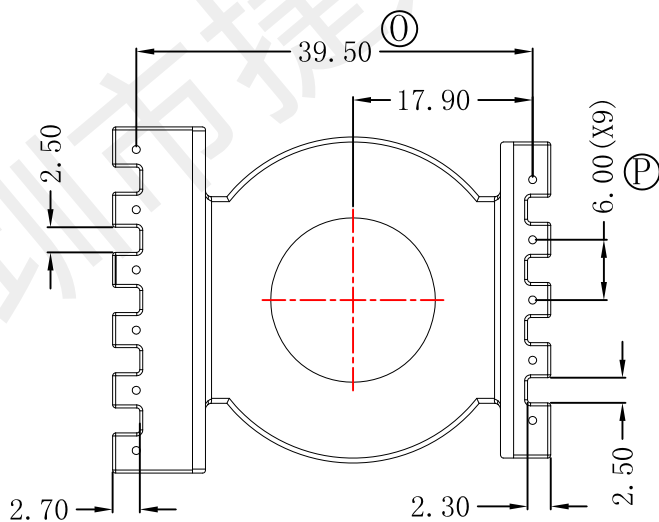
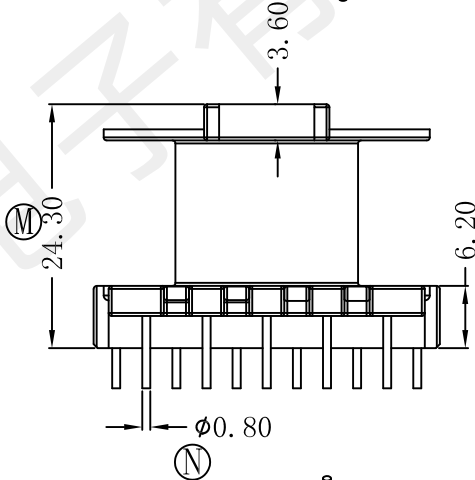
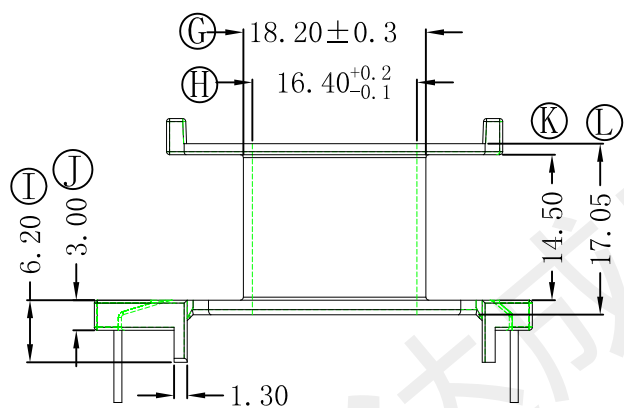
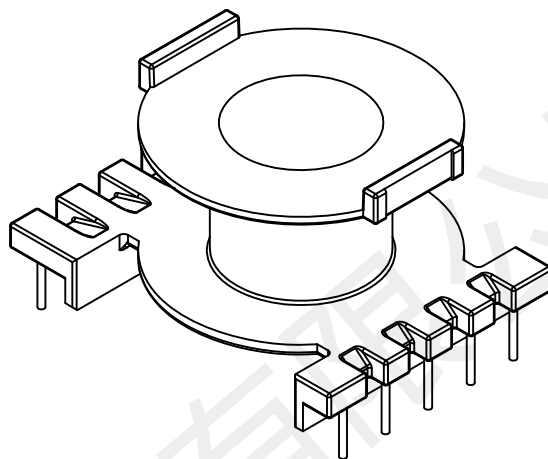
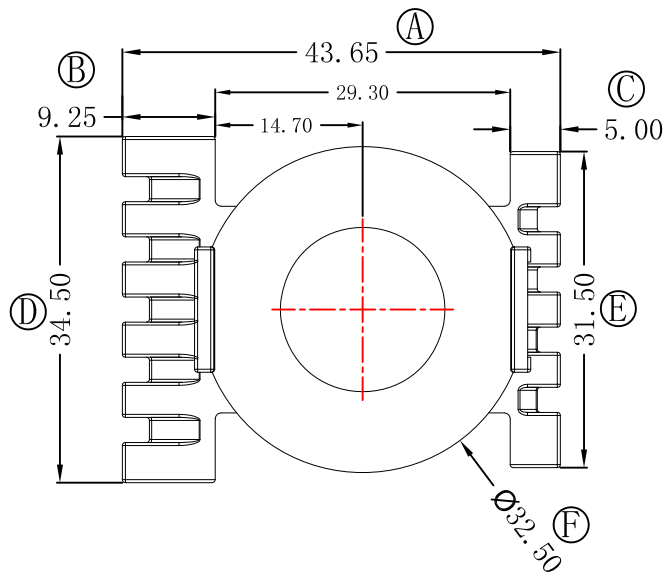


型号

POT-4025



REV	DATE	REVISIONS REC

深圳市捷达成电子有限公司

SHANZHEN JIEDACHENG ELECTRONICS CO.,LTD.

TEL:0755-27317730 FAX:0755-27317731

ANGLE:  
+/-1°

MODEL NAME:  
POT-4025 5+6PIN

UNIT:  
MM

UL REC:  
UL 94V-0

BOBBIN MATERIAL:  
PM-9630

DRAFTER

L.R.J

TOLERANCE

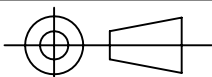
0<L<4 ±0.1

4<L<16 ±0.2

16<L<50 ±0.3

PIN PITCH ±0.2

SCALE:  
4/1



PIN TENSION LOAD:  
1.5KG MIN

PIN MATERIAL:  
CP WIRE

CHECKER

Y.F.

DATE:  
2019-12-23

DRAWING NO:  
POT-4025

REV:  
1.0